

SEV-C, STR50, DTR44 & SNR35

Voice evacuation system



SEV-C Vocal evacuation system: The vocal evacuation system SEV emits alternatively the standard evacuation sound and a vocal message which can be recorded by the user (30s max). The recorded messages are used for emergency evacuation or comfort warnings.

The SEV can be used:

- Either for warning messages, in this option, it can be controlled by a free voltage contact. It monitors the associated impedance loudspeakers (8 loudspeakers max / 2 to 8Ω in total)
- Or for general evacuation messages, in this option, it is associated with fire detection panels. It monitors the associated impedance loudspeakers and report back to the fire panel any loop fault.

Weight: 1,6Kg	Operating voltage: 24Vdc or 48Vcc
Dimension: 214 x 184 x 55 mm	Quiescent current: 120mA @ 24V / 70mA @ 48V
IP rating: 42	Alarm current: 2,5A @ 24V / 1,2A @ 48V



- **STR50 Satellite speaker 105db, max 8 per line. system:**

To be connected to the SEV-C vocal evacuation system.

Applications for offices, meeting rooms.

Pleasant look.

Weight: 0.200 Kg	Impedance: 16 ohms
Dimension: 105 x 105 x 80 mm	Sound power at 1m: 90 dB
IP rating: 31	Material: PVC



- **STR44 Sound broadcaster:**

To be connected to the SEV-C vocal evacuation system.

Applications for Shopping malls, cinemas public areas.

Weight: 0.910 Kg	Sound power at 1m: 94 dB
Dimension: 101 x 101 x 88 mm	Impedance: 16 ohms
Material: ABS	IP rating: 56



- **SNR35 Satellite speaker 125db, max 4 per line:**

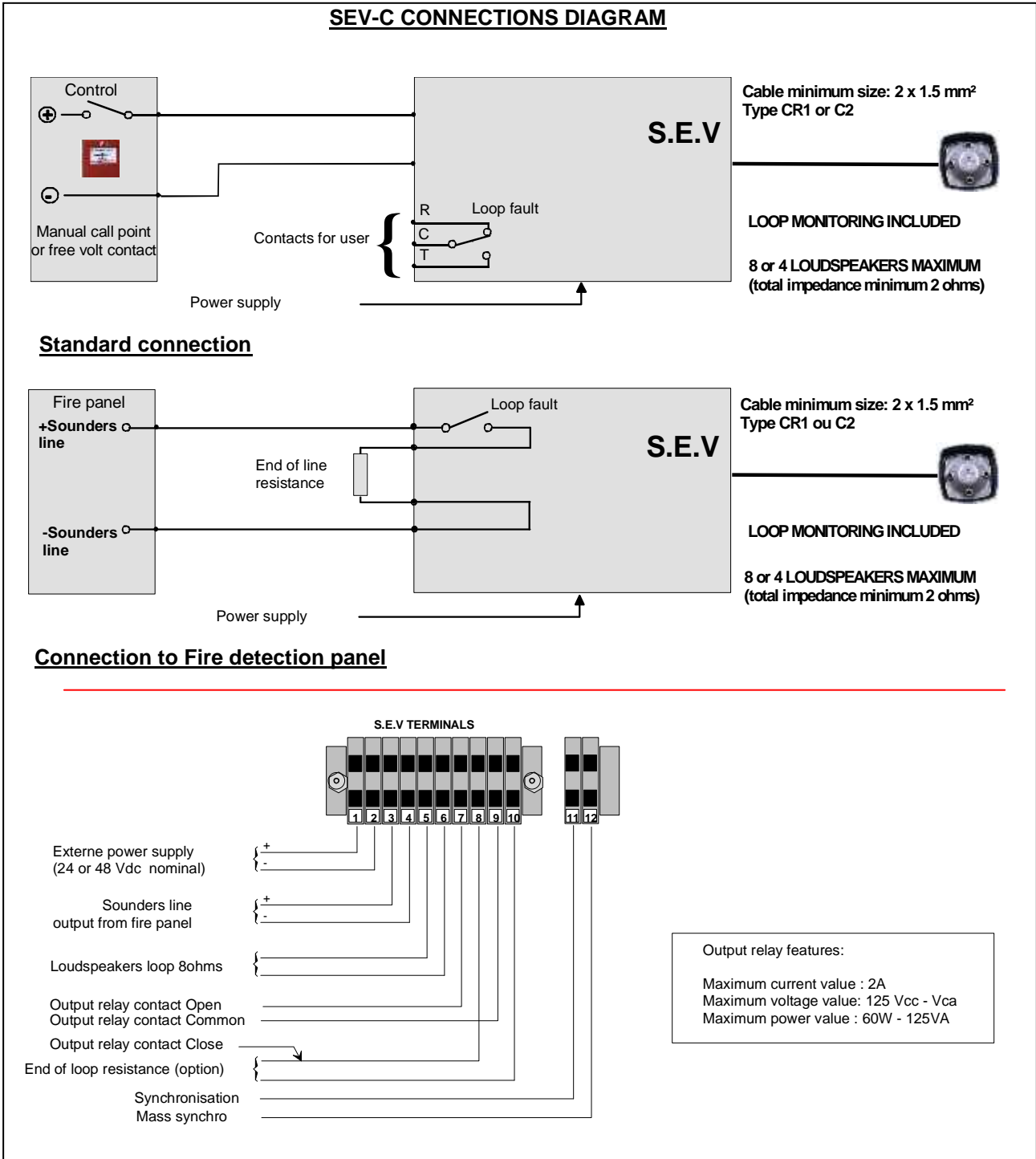
To be connected to the SEV-C vocal evacuation system.

Applications for large areas.

Weight: 1.5 Kg	Sound power at 1m: 110dB
Dimension: 170 x 280 x 280 mm	Impedance: 8 ohms
Material: ABS	IP rating: 45

SEV-C, STR50, DTR44 & SNR35

Voice evacuation system



REFERENCE

SEV-C
STR50
STR44
SNR35

DESCRIPTION

Voice evacuation central panel.
Satellite speaker 105 dB, max 8 per line.
Satellite speaker 115 dB, max 8 per line.
Satellite speaker 125 dB, max 4 per line.

