



DLFB30

Short linear smoke beam detector

- Certification EN54-12, EN54-17
- CE Approved according to CPR

DLFB30-I and DLFB30-R are 2 references for short beam detectors. With their **embedded laser pointer** and a unique **passive reflector**, the references are ideals for installation on site where normal point smoke detectors cannot be used. Existing in addressable version (**DLFB30-I**) and relay version (**DLFB30-R**), the device is compatible with SD3 addressable panel and all conventional panels.

Its technology allows a coverage area of **3 to 30m length** and up to 10m width.

The **embedded laser pointer** allows a simple installation and **auto-calibration** of the device without needs of tools or calibration devices.

DLFB30-I and DLFB30-R exists also in **flush-mount** and **industrial version**.



Main characteristics

- Standard EN54-12
- CE approved according to CPR
- 3m to 30m length coverage
- 10m wide coverage (5m on each side)
- Independent self-powered laser pointer
- Auto-calibration
- Industrial version, IP66 (option)
- Flush mounting version (option)

Power supply

Main supply voltage	13 Vdc to 28(Nom: 24 Vdc)
Quiescent current (24Vdc)	<0,76mA max.
Alarm current (24Vdc)	9,2mA nominal
Calibration mode	20mA

Mechanical characteristics

	Standard	Flush-mount
Unit dimensions (in mm)	L:115 H:115 D:78	L:115 H:115 D:68
IP rating	IP41 (optical block:IP54)	
Maximum section of cables	1 x 1,5mm ²	

Isolator characteristics

Short-circuit isolator type	Isolator simple et « monitored»
Loop power voltage	$V_{max} = 28 \text{ Vdc}$; $V_{nom} = 24 \text{ Vdc}$; $V_{min} = 13 \text{ Vdc}$
Current maximum	$I_{C \text{ max}} = 350 \text{ mA}$; $I_{S \text{ max}} = 1 \text{ A}$; $I_{L \text{ max}} = 100 \text{ }\mu\text{A}$
Maximum Impedance	$Z_{C \text{ max}} = 8 \text{ }\Omega$, closed switch
Open voltage of the ICC	$V_{SO \text{ max}} = 7,6 \text{ V}$; $V_{SO \text{ min}} = 6,0 \text{ V}$
Re-connection voltage	$V_{SC \text{ min}} = 6,0 \text{ V}$ $V_{SC \text{ max}} = 7,6 \text{ V}$

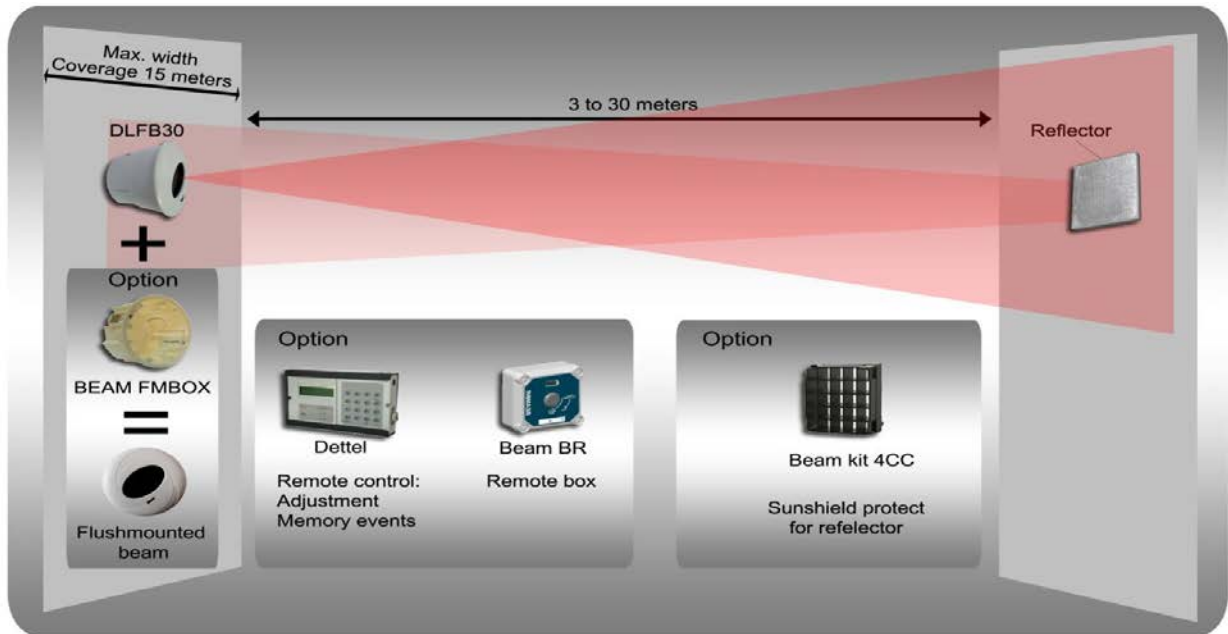
Optical characteristics

Optical wavelength	940nm
Operating range	3m to 30m
Width operating range	5m on each side (10m total)
Max. angular misalignment optical block	$\pm 0,35^\circ$
Max. angular misalignment reflector	$\pm 5^\circ$
Max. angular movement of optical block	$\pm 1,8^\circ$
LED indicator visualization angle	180°
Fault threshold	92%

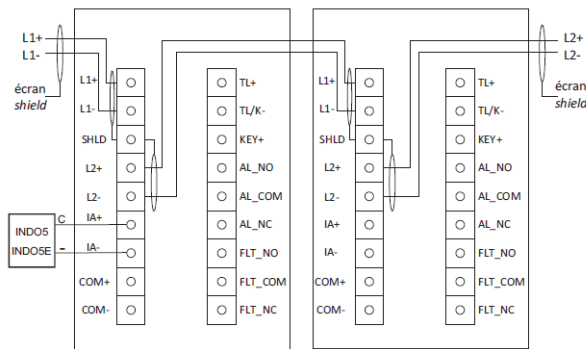


DLFB30

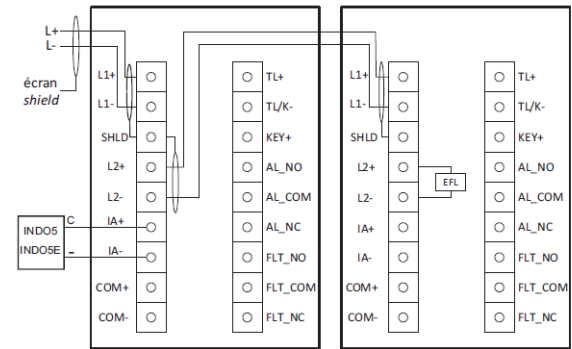
Short linear smoke beam detector



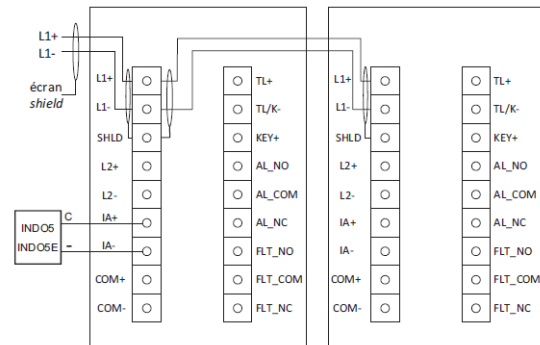
Raccordement de la ligne en système bouclé avec isolateur (version adressable)
 Connection for the loop with isolator (addressable version)



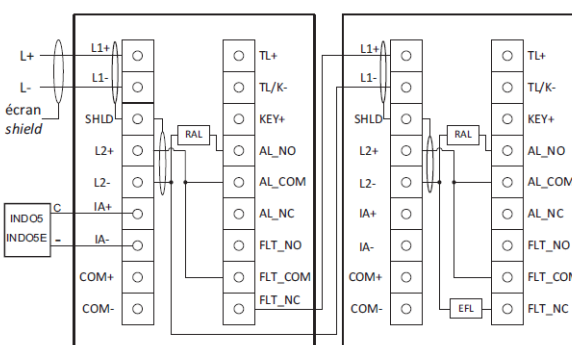
Raccordement de la ligne ouverte conventionnelle avec son élément de fin de ligne EFL (version conventionnel)
 Connection for the line with its end of line element EFL (conventional version)



Raccordement de la ligne ouverte (version adressable)
 Connection for the line (addressable version)



Raccordement électrique de la version relais ; alimentation par ligne DI.
 EFL est l'élément de fin de ligne, RAL est la résistance d'alarme
 Electric connection of the relay version; Power supply by detection line
 EFL is the end of line element; RAL is the alarm resistor.



REFERENCE

DLFB30-I

DLFB30-R

OPTIONS

DETTEL

BEAMBR

BEAM-FMBOX

DESCRIPTION

INTELLIGENT INTERACTIVE BEAM DETECTOR (loop powered) EN54-12, EN54-17, CE according to CPR

RELAY BEAM DETECTOR, NO-NC ALARM, NO-NC FAULT, EN54-12, CE according to CPR

Remote control with display and keypad for DLFB30

Remote box for beam, allows to remotely enable/disable the beam

FLUSHMOUNTING box for DLFB30

